

### ELECTRONIC EQUIPMENT MAINTENANCE KIT MK-288/URM

Headquarters, Department of the Army, Washington 25, D. C.

10 December 1957

**1. General.** Electronic Equipment Maintenance Kit MK-288/URM (fig. 1) consists of four dummy loads which are used in conjunction with Signal Generators AN/URM-25 through -25D (TM 11-5551 through -D) to match the output

impedance of the signal generator to the input impedance of various radio receivers. The dummy antenna used must have the same electrical characteristics as the actual antenna that is used with the radio receiver. After the impedances

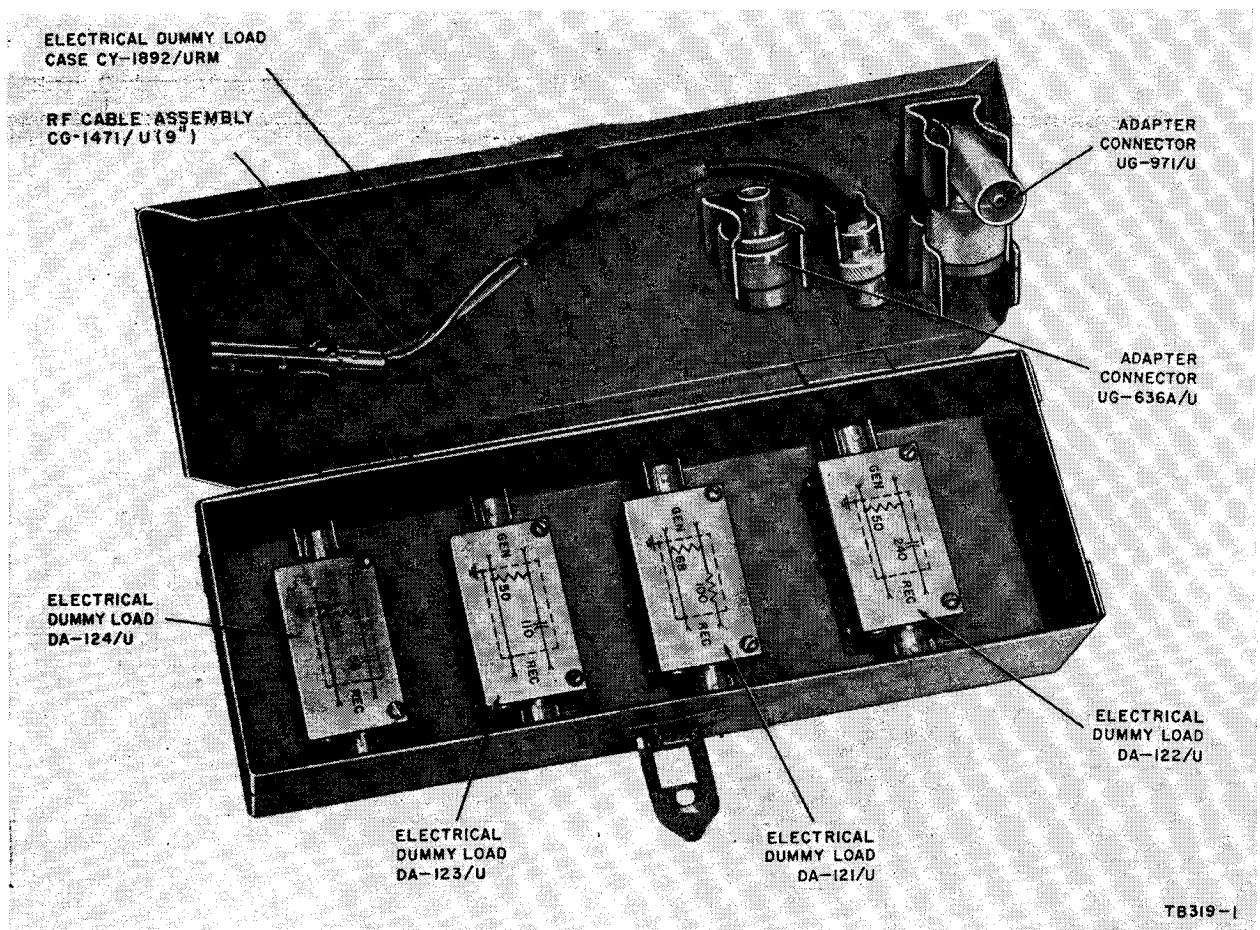


Figure 1. Electronic Equipment Maintenance Kit MK-288/URM, components

have been properly matched, the signal generator is used to make adjustments, alignment and final test procedures.

**2. Components.** Electronic Equipment Maintenance Kit MK-288/URM consists of the following components:

- 1 each Electrical Dummy Load DA-121/U
- 1 each Electrical Dummy Load DA-122/U
- 1 each Electrical Dummy Load DA-123/U
- 1 each Electrical Dummy Load DA-124/U

- 1 each RF Cable Assembly CG-1471/U (9")
- 1 each Adapter Connector UG-636A/U
- 1 each Adapter Connector UG-971/U
- 1 each Electrical Dummy Load Case CY-1892/URM

**3. Uses.** The dummy loads (fig. 2) are used as impedance-matching substitutes for balanced (rhombic or doublet) or unbalanced (whip or straight wire) antennas in the following radio receivers:

<i>Dummy load</i>	-----	<i>Radio receiver</i>	-----	<i>Antenna type</i>
DA-121/U	-----	R-390/URR, R-390A/URR, R-391/URR, R-392/URR.	-----	Doublet or rhombic.
DA-122/U	-----	R-389/URR	-----	Straight wire (long).
DA-123/U	-----	Radio Receiving Set AN/G RR-5	-----	Straight wire (medium) or whip.
DA-124/U	-----	R-390/URR, R-390A/URR, R-391/URR, R-392/URR.	-----	Straight wire (short) or whip.

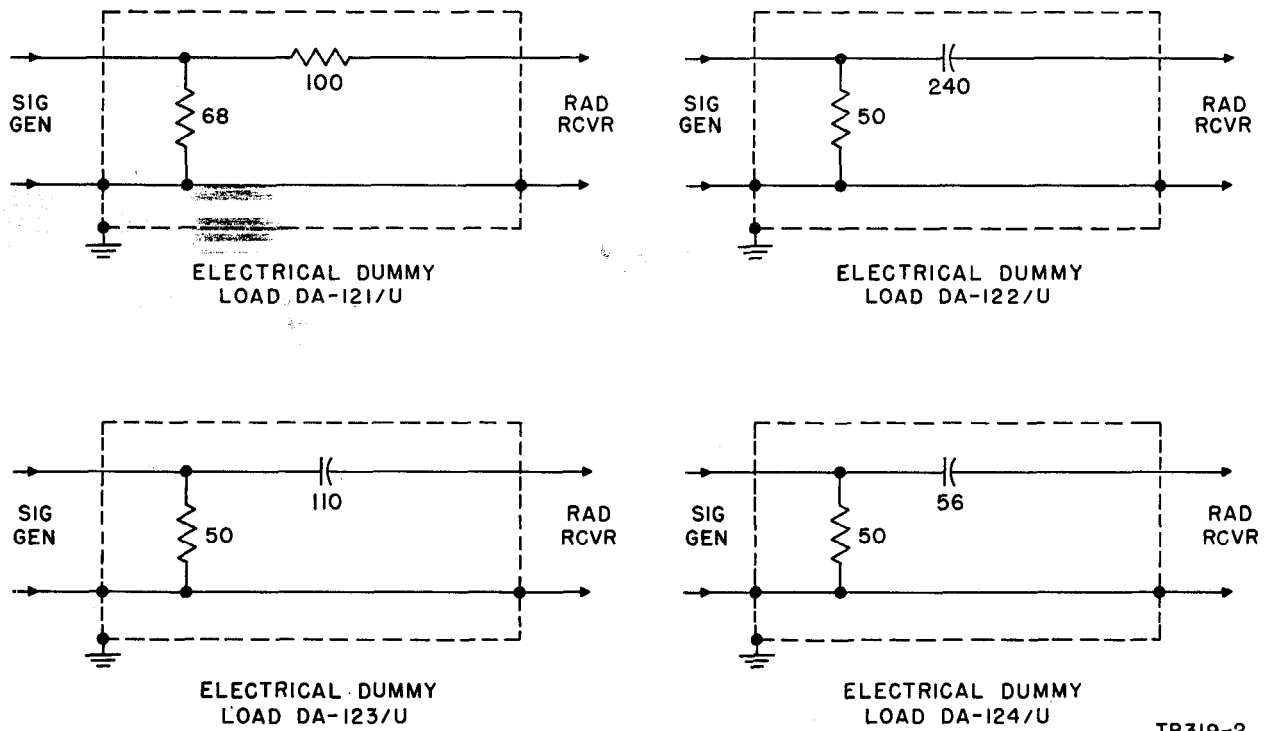


Figure 2. Dummy loads, schematic diagrams.

**4. Connections.** a. The dummy load must be connected between the rf output terminals (50 ohms) of the signal generator and the antenna input terminals of the radio receiver (fig. 3). The output indicator is connected to the output of the receiver for alignment purposes. Two cords CG-409/U are supplied with the signal generator

and are used to connect the dummy load between the generator and the receiver. Connect the long cord (3 ft 11 in.) between the generator and the dummy load input. Connect the short cord between the dummy load output and the receiver antenna input.

b. RF Cable Assembly CG-1471/U is used to

connect the dummy load output to radio receivers that have antenna terminals instead of antenna connectors.

c. Adapter Connector UG-971 /U is a twin-to-C type (balanced to unbalanced) connector. This connector unbalances the balanced input, by con-

necting one leg of the receiver input to the shell of the connector (ground), and the other leg of the receiver input to the connector center conductor. Adapter Connector UG-636A/U is a C to BNC adapter which is used with Adapter Connector UG-971 /U when required.

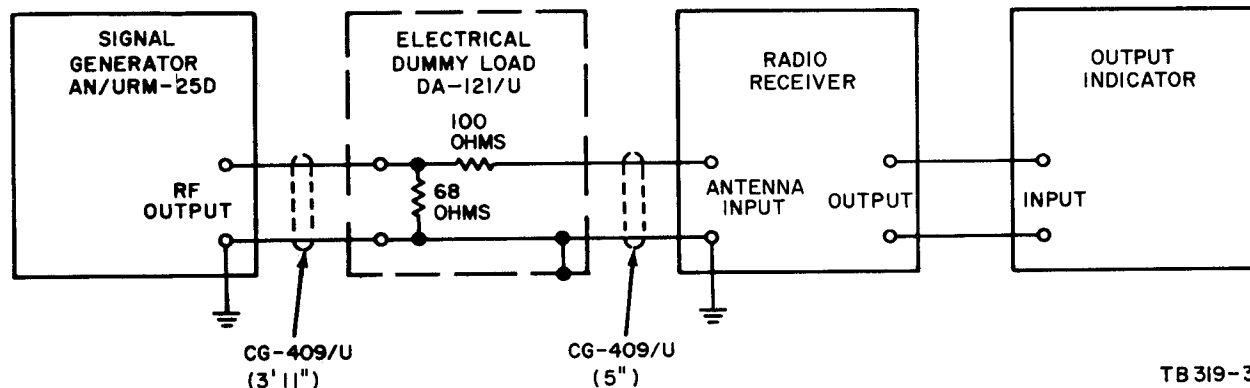


Figure 3. Dummy antenna connected between signal generator and radio receiver

TB 319-3

By Order of Wilber M. Brucker, Secretary of the Army:

MAXWELL D. TAYLOR,  
General, United States Army,  
Chief of Staff.

Official:

HERBERT M. JONES,  
Major General, United States Army,  
The Adjutant General.

Distribution:

Active Army:

CNGB  
ASA  
Technical Stf, DA  
Technical Stf Bd  
USCONARC  
USA Arty Bd  
USA Armor Bd  
USA Armor Bd Test Sec  
USA Inf Bd  
USA Air Def Bd  
USA Air Def Bd Test Sec  
USA Abn & Elct Bd  
USA Avn Bd  
USA Arctic Test Bd  
USARADCOM  
OS Maj Comd  
MDW  
Armies  
Corps  
USATC  
Ft & Camps

USMA  
USASCS Sch  
Gen Depots  
Sig Sec, Gen Depots  
Sig Depots  
AH  
BAMC  
WRAMC  
AFIP  
Engr Maint Cen  
Army Pictorial Cen  
TASSA, Phila  
USA Sig Pub Agcy  
USA Comm Agcy  
USA Sig Comm Engr Agcy  
AMS  
USA White Sands Sig Agcy  
Ports of Emb (OS)  
Trans Terminal Comd  
Army Terminals  
OS Sup Agcy

PG  
Arsenals  
Plants & Works  
Sig Fld Maint Shops  
Lab  
Mil Dist  
JBUSMC  
Units organized under following  
TOE's:  
11-7, Sig Co, Inf Div  
11-16, Hq & Hq Co, Sig Bn, Corps  
or Abn Corps  
11-57, Armd Sig Co  
11-127, Sig Rep Co  
11-128, Sig Depot Co  
11-500 (AA-AE), Sig Svc Org  
11-557, Abn Sig Co  
11-587, Sig Base Maint Co  
11-597, Sig Base Depot

NG: State AG; units—same as Active Army.

USA R: None.

For explanation of abbreviations used, see AR 320-50.

**PIN: 010726-000**